

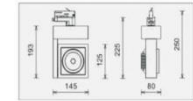
BOX-15W LED 1x15W

MATERIAL: ALUMINUM DIE-CAST
ROTATES: 355°
SPOT HEAD ADJUST: 90°

LAMP: BRIDGELUX
ES RECTANGLE ARRAY, 1x15W
INCL. LED POWER SUPPLY 500mA-DC
AC 100-240V/50-60Hz
REFLECTOR ANGLE: 16°, 40°, CRI 80.

AVAILABLE COLOR:
Alu Grey, Sand Black, Sand White

IP20/ROHS/CE/☑



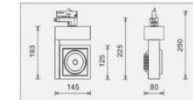
BOX-26W LED 1x26.2W

MATERIAL: ALUMINUM DIE-CAST
ROTATES: 355°
SPOT HEAD ADJUST: 90°

LAMP: BRIDGELUX
ES RECTANGLE ARRAY, 1x26.2W
INCL. LED POWER SUPPLY 700mA-DC
AC 100-240V/50-60Hz
REFLECTOR ANGLE: 16°, 40°, CRI 80.

AVAILABLE COLOR:
Alu Grey, Sand Black, Sand White

IP20/ROHS/CE/☑





Features

Curved triangular housing with specific wallwasher reflector. 355° rotation & 90° tilt angle to maximize the lighting range.

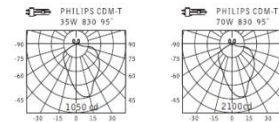
Application

Wall washer museums, exhibitions, art galleries, showrooms and also in commercial applications.



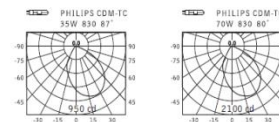
Lamps	Lighting Dimension/Icon/Photometric Curve	parameters
		Housing: die-cast aluminium, powder-coated, 0°-90° tilt, anti-dazzle design. Bracket: die-cast aluminium, powder-coated, rotatable on transadapter through 355°, internal wiring. Reflector: pure aluminium layer 99.9%, mirror-finish anodized. TITAN 1-circuit or 3-circuit adapter: plastic, liquid paint. Lamp: CDM-T(HIT-T) AC 220-240V 35W or 70W G12 Color: <input type="checkbox"/> WH <input checked="" type="checkbox"/> BK <input type="checkbox"/> SY

SH-313A/HT4-BA70N



		Housing: die-cast aluminium, powder-coated, 0°-90° tilt, anti-dazzle design. Bracket: die-cast aluminium, powder-coated, rotatable on transadapter through 355°, internal wiring. Reflector: pure aluminium layer 99.9%, mirror-finish anodized. TITAN 1-circuit or 3-circuit adapter: plastic, liquid paint. Lamp: CDM-TC(HIT-TC) AC 220-240V 35W or 70W G8.5 Color: <input type="checkbox"/> WH <input checked="" type="checkbox"/> BK <input type="checkbox"/> SY
--	--	---

SH-313C/HT4-BA70N






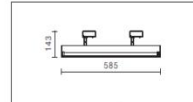
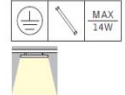

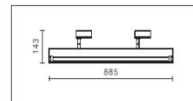


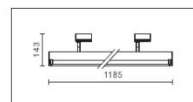


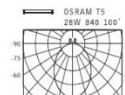
Features

Refined and stylish design.
Reflectors with pure aluminium layer 99.9%, and matt acrylic lampshade create a visual comfort efficiently and high performance.

Application

General lighting for office, CBD, classroom, workroom and studio.



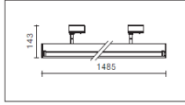
Lamps	Lighting Dimension/Icon/Photometric Curve	parameters	
	 	Housing: aluminium, powder-coated. Lampshade: acrylic, matte. Bracket: copper, powder-coated. TITAN 1-circuit or 3-circuit adapter: plastic, liquid paint. Lamp: T5 14W G5 Color: <input type="checkbox"/> WH <input type="checkbox"/> SV <input checked="" type="checkbox"/> FR	
<p>HSP-T5H114/HT-303</p>		 	Housing: aluminium, powder-coated. Lampshade: acrylic, matte. Bracket: copper, powder-coated. TITAN 1-circuit or 3-circuit adapter: plastic, liquid paint. Lamp: T5 21W G5 Color: <input type="checkbox"/> WH <input type="checkbox"/> SV <input checked="" type="checkbox"/> FR
<p>HSP-T5H121/HT-303</p>		 	Housing: aluminium, powder-coated. Lampshade: acrylic, matte. Bracket: copper, powder-coated. TITAN 1-circuit or 3-circuit adapter: plastic, liquid paint. Lamp: T5 28W G5 Color: <input type="checkbox"/> WH <input type="checkbox"/> SV <input checked="" type="checkbox"/> FR
<p>HSP-T5H128/HT-303</p>			Housing: aluminium, powder-coated. Lampshade: acrylic, matte. Bracket: copper, powder-coated. TITAN 1-circuit or 3-circuit adapter: plastic, liquid paint. Lamp: T5 28W G5 Color: <input type="checkbox"/> WH <input type="checkbox"/> SV <input checked="" type="checkbox"/> FR

Track luminaires

Lamps

Lighting Dimension/Icon/Photometric Curve

parameters



Housing: aluminium, powder-coated.
Lampshade: acrylic, matte.
Bracket: copper, powder-coated.
TITAN 1-circuit or 3-circuit adapter: plastic, liquid paint.
Lamp: T5 35W G5
Color: WH SV FR

HSP-T5H135/HT-303

